

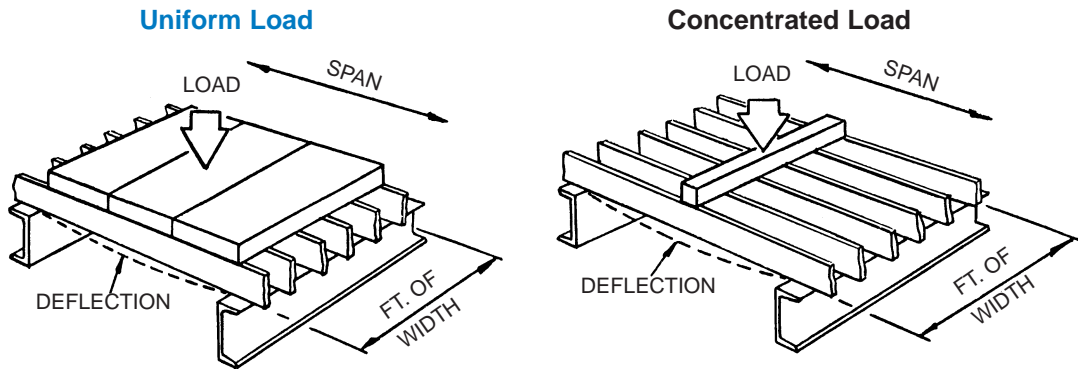
ALUMINUM DESIGN CRITERIA

The tables of safe loads which follow have been computed using the following design parameters:

- U = Uniform Load – lbs/ft²
- C = Concentrated Load – lbs/ft of grating width
- S = Section Modulus – in³/ft of grating width
- I = Moment of Inertia – in⁴/ft of grating width
- L = Simple Clear Span – feet
- D = Deflection – inches
- E = Modulus of Elasticity (10,000,000 psi)
- F = Allowable Bending Stress (12,000 psi) – See note below.
- M = Bending Moment

Design Service

Available at no charge to the specifying architect/engineer or fabricator, is access to a computer program which provides uniform load and deflection (actual or fraction of span) analysis of grating products. Just call, write or fax your design criteria – loading, span, allowable deflection, or grating size desired – and we will provide you with the information you require.



	Uniform Load	Concentrated Load
Step 1. Determine M:	$M = \frac{FS}{12}$	$M = \frac{FS}{12}$
Step 2. Determine U or C:	$U = \frac{8M}{L^2}$	$C = \frac{4M}{L}$
Step 3. Check D*:	$D = \frac{5UL (L \times 12)^3}{384 EI}$	$D = \frac{C (L \times 12)^3}{48 EI}$

*Deflection should be limited to 1/4" under 100# uniform load to afford pedestrian comfort.

NOTE: Quite often there is some question as to whether alloy 6063-T6 or 6061-T6 should be the preferred alloy for grating products. The design of aluminum grating for pedestrian loads is deflection limited, rather than strength limited. Although alloy 6061-T6 is stronger than alloy 6063-T6, the Modulus of Elasticity for both alloys is the same: 10,000,000 psi. As a result, equal loads will produce the same deflection, provided, of course that the yield strength is not exceeded.

Aluminum Grating is best suited for use in conjunction with pedestrian traffic, and for very light, rubber pneumatic tired rolling traffic (carts, dollies and hand trucks). For other rolling loads (forklifts, cars, trucks, etc.) see [Heavy Duty Steel Grating](#)

Information of a technical nature contained herein is intended only for evaluation by technically skilled persons, with any use thereof to be at their independent discretion and risk. Such information is reliable when evaluated in the proper manner under conditions as described herein. Ohio Gratings, Inc. shall have no responsibility or liability for results obtained or damages resulting from improper evaluation or use.