

Handrail Systems

19ADT4

Dovetail

ALUMINUM HANDRAIL

FEATURES:

- Lightweight
- Easy Installation
- Strong & Durable
- Custom Fabrication & Spacing Available
- Effective Physical Barrier

BENEFITS:

- Cost Effective
- Low Maintenance
- Unitized Systems
- Aesthetically Pleasing
- Integrates with Any Handrail System



Panel Height	Panel Width	Balustrade Size
24"	120"	2" x 5/16" Flat Bar
36"	120"	2" x 5/16" Flat Bar
48"	96"	2" x 2" Flat Bar

* Final determination of panel & balustrade sizes is based on site conditions and design considerations

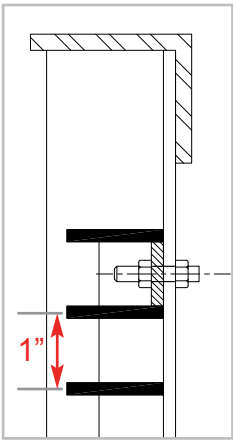
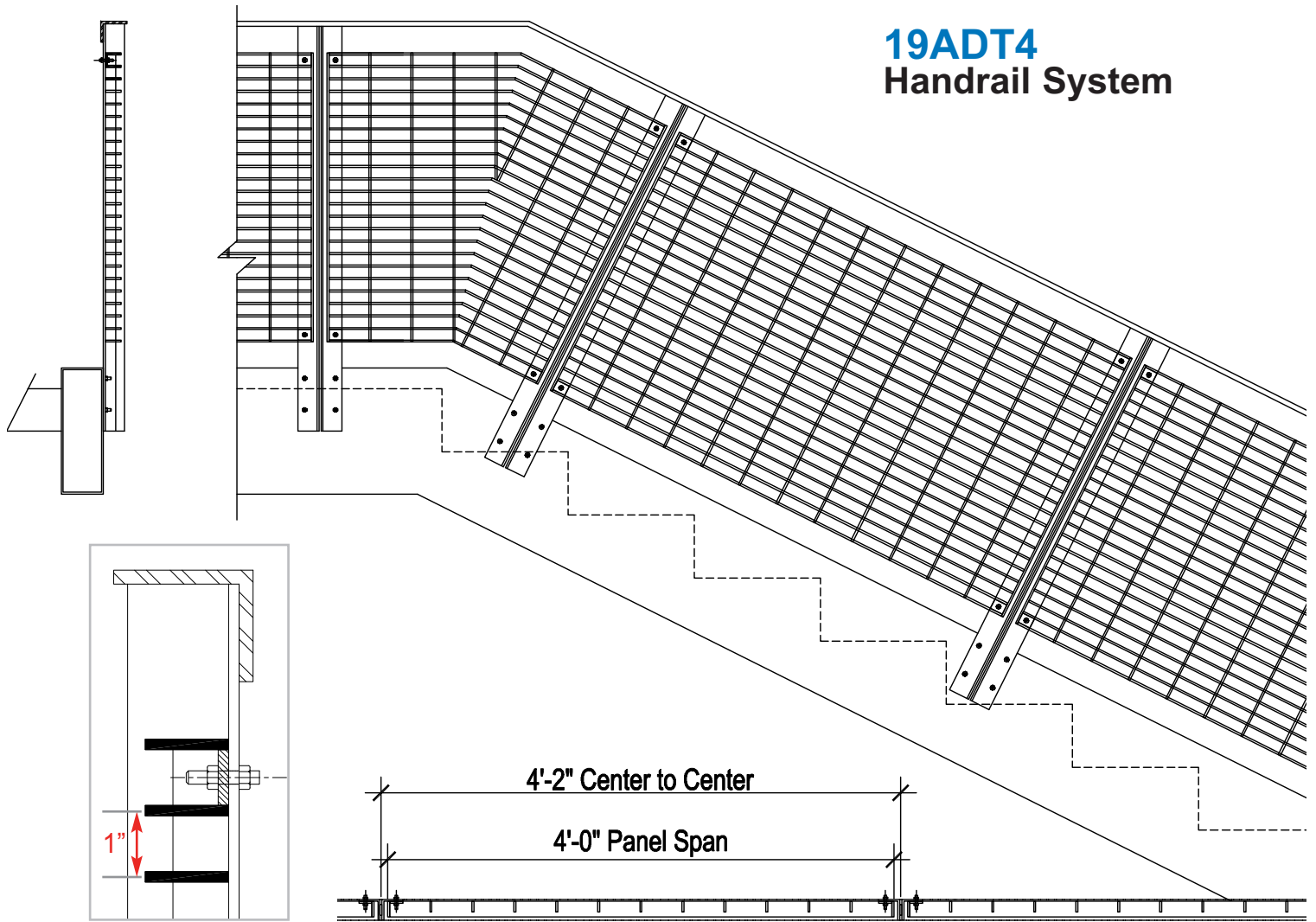
** Available in powder coat, kynar, anodized & mill finishes.

*Detail - 19ADT4 Handrail at BYU Recreation Center
- Provo, UT*

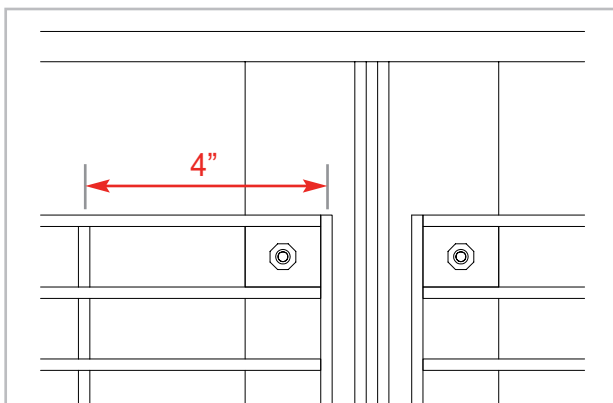




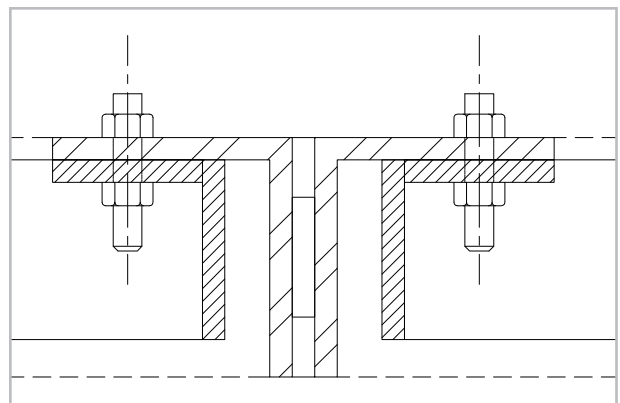
19ADT4 Handrail System



Section View



Detail - Panel Attachment View



Post Plan View

