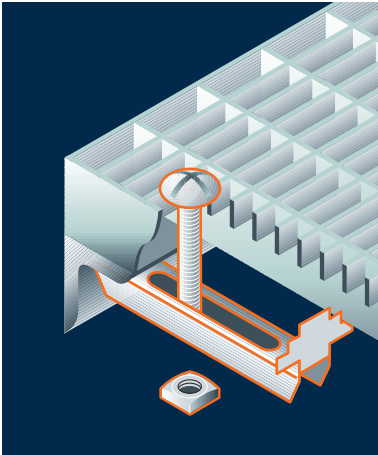


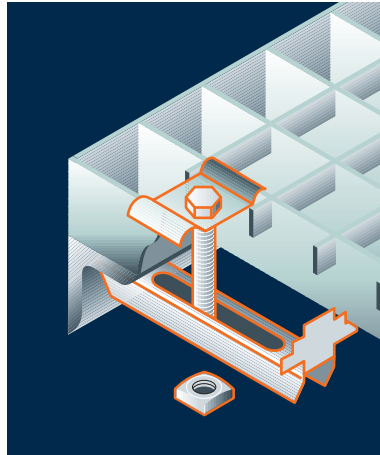
Fasteners



Standard fastener

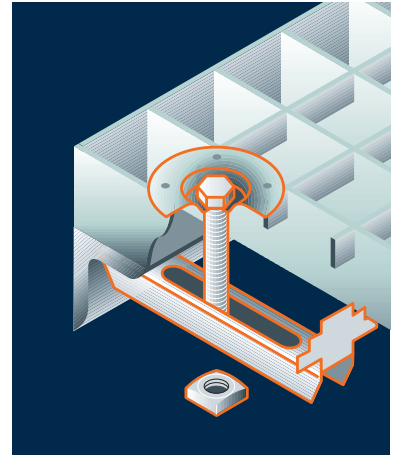
For mesh width 1-5/16" x 7/16"

- Cross head screw M8
- Clamp lower part
- Square nut



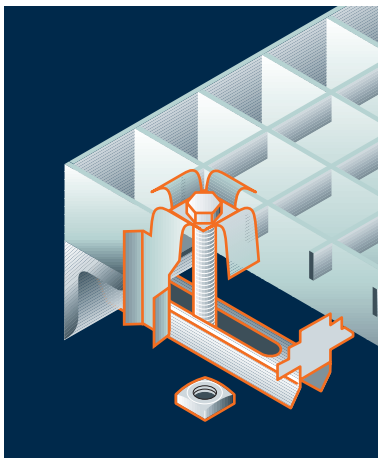
Standard fastener

- Clip upper part
- Clamp lower part
- Hexagon screw M8
- Square nut



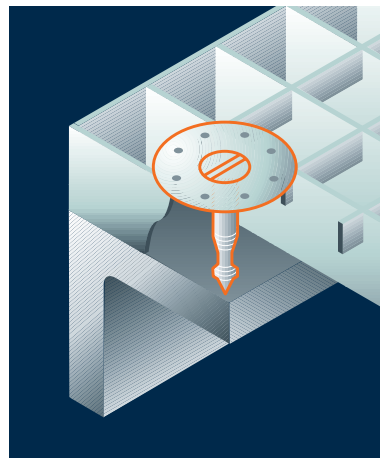
Standard fastener

- Disc upper part
- Clamp lower part
- Hexagon screw M8
- Square nut



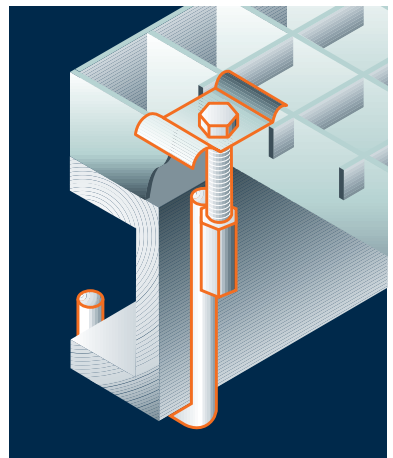
Safety fastener

- Locking clip upper part
- Clamp lower part
- Hexagon screw M8
- Square nut



Head bolt fastener

- Disc upper part and threaded sleeve
- Threaded screw M8



Hook fastener

- Clip or disc upper part
- Hook made of bent round bar steel with sleeve type nut welded on
- Hexagon screw M8

Available in Stainless Steel or Hot Dipped Galvanized.

Additional fastener styles available