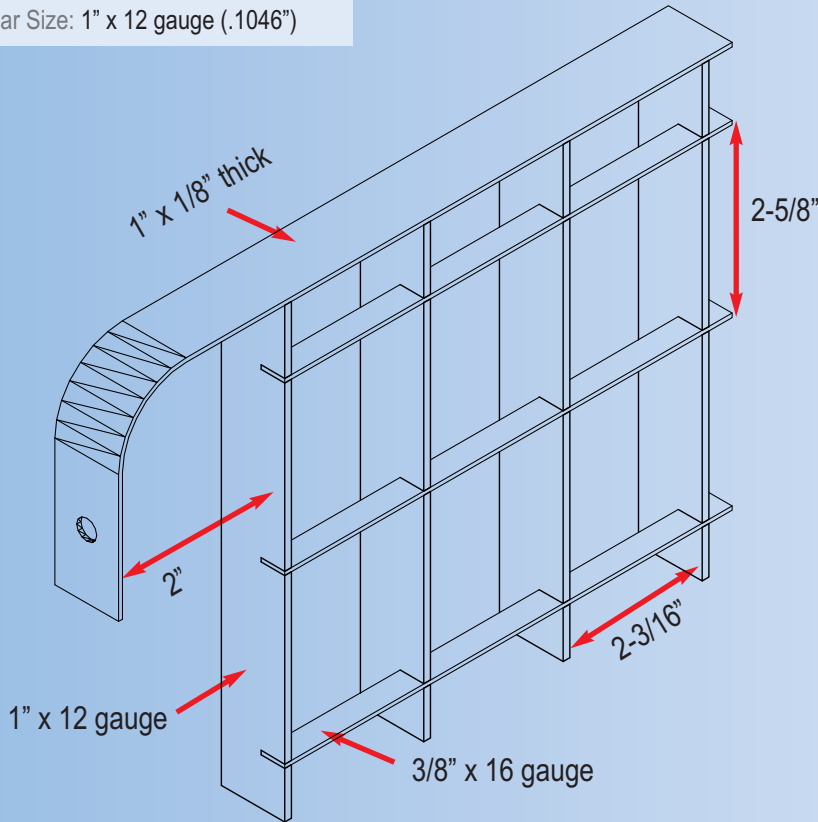




PRESSLOCK Guardian

Guardian

Mesh Opening: 2-3/16" x 2-5/8"
Bar Size: 1" x 12 gauge (.1046")



We are proud to offer our **NEW** architectural **PressLock** steel fence, ideal for multiple uses where aesthetics and security need to co-exist.

- **Strong and Long-Lasting**
- **Nearly Maintenance FREE**
- **No Surface Cracking or Fading**
- **Galvanized and /or Powder Coated**

Guardian is manufactured using an exclusive pressure lock process, giving complete penetration of the cross member, a technique that is both functional and decorative. It then receives a galvanized finish with a polyester powder coating giving it the best corrosion protection available. **Guardian** is both strong and attractive.

Specifications:

PressLock steel fencing. MBG **Guardian** design: 1" x 12 gauge main bar, 3/8" x 16 gauge cross bar, 2-3/16" x 2-5/8" mesh. Galvanized to ASTM 123 and /or polyester powder coated 2.60 lbs./sq. ft.

We can custom manufacture and fabricate most mesh sizes or panel configurations required. Contact one of our sales representatives today at **1-800-321-9800** and we'll design a system exclusively for you!

How to Specify...

| "H" Panel Height | "A" Anchorage Depth | Post Size |
|---------------------|---------------------------|----------------|
| 36" | 8" | 2-1/2" x 5/16" |
| 48" | 8" | 2-1/2" x 5/16" |
| 60" | 10" | 2-1/2" x 5/16" |
| 72" | 12" | 3" x 5/16" |
| 96" | 14" | 3" x 5/16" |

| "P" Post Centers | "U" Unit Width | "W" Grille Width | "M" Mounting Projection |
|---------------------|-------------------|---------------------|-------------------------------|
| 50-5/16" | 50" | 43-7/8" | 2" |
| 74-13/16" | 74-1/2" | 70-1/8" | 2" |

NOTE: These are standard panel sizes and grilles. OGI can custom manufacture and fabricate any size mesh or panel configuration required. Contact our sales team for assistance at 800-321-9800 or visit us online at www.ogifence.com to locate your nearest representative.

