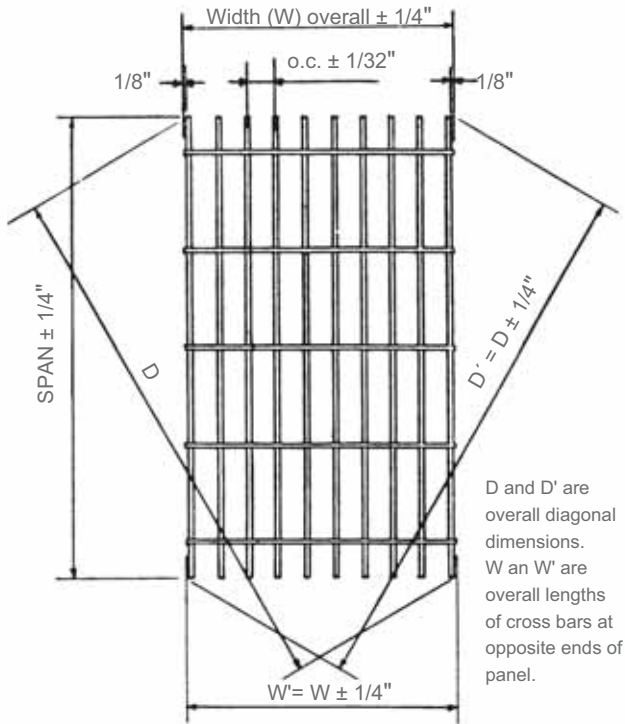


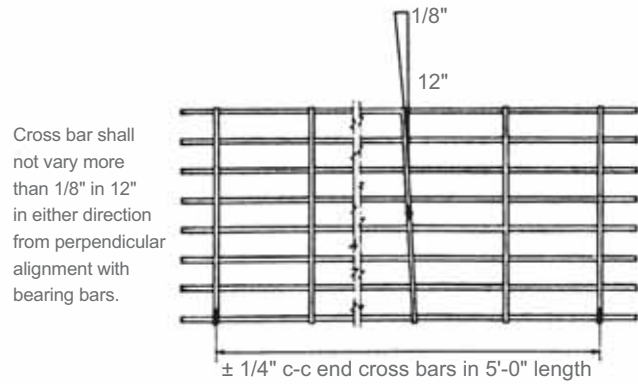
# GRATING TOLERANCES

## Light Duty Steel Grating & Aluminum Grating

### Overall Dimensions and Squareness



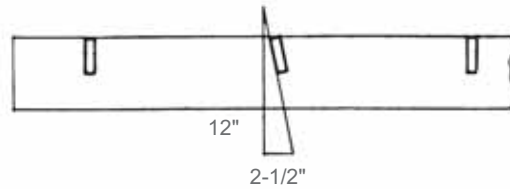
### Cross Bar Alignment and Spacing



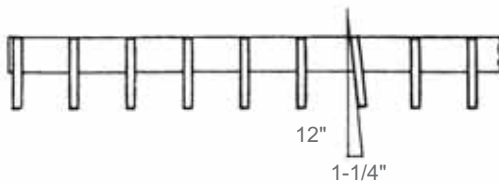
### Cross Bar Location



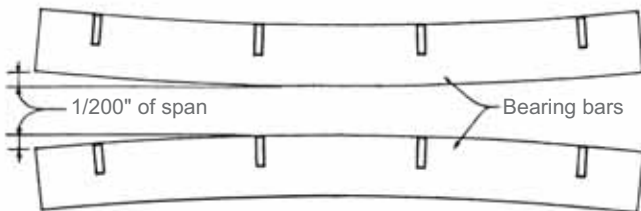
### Cross Bar Lean



### Bearing Bar Lean



### Longitudinal Bow



### Transverse Bow (Before fastening to supports)

