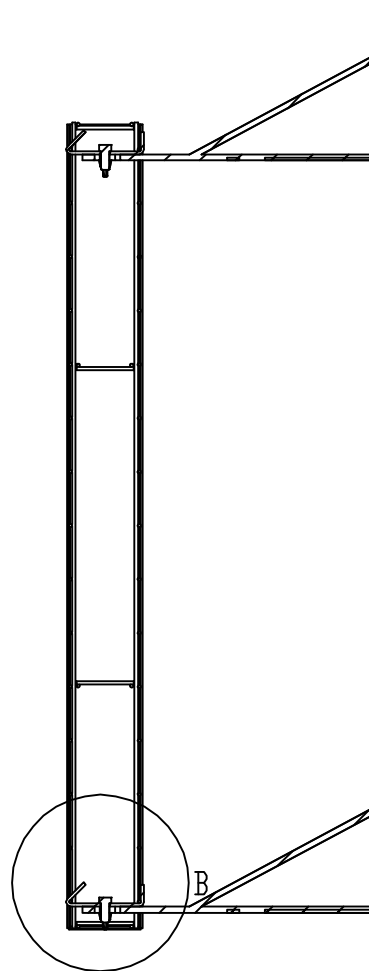
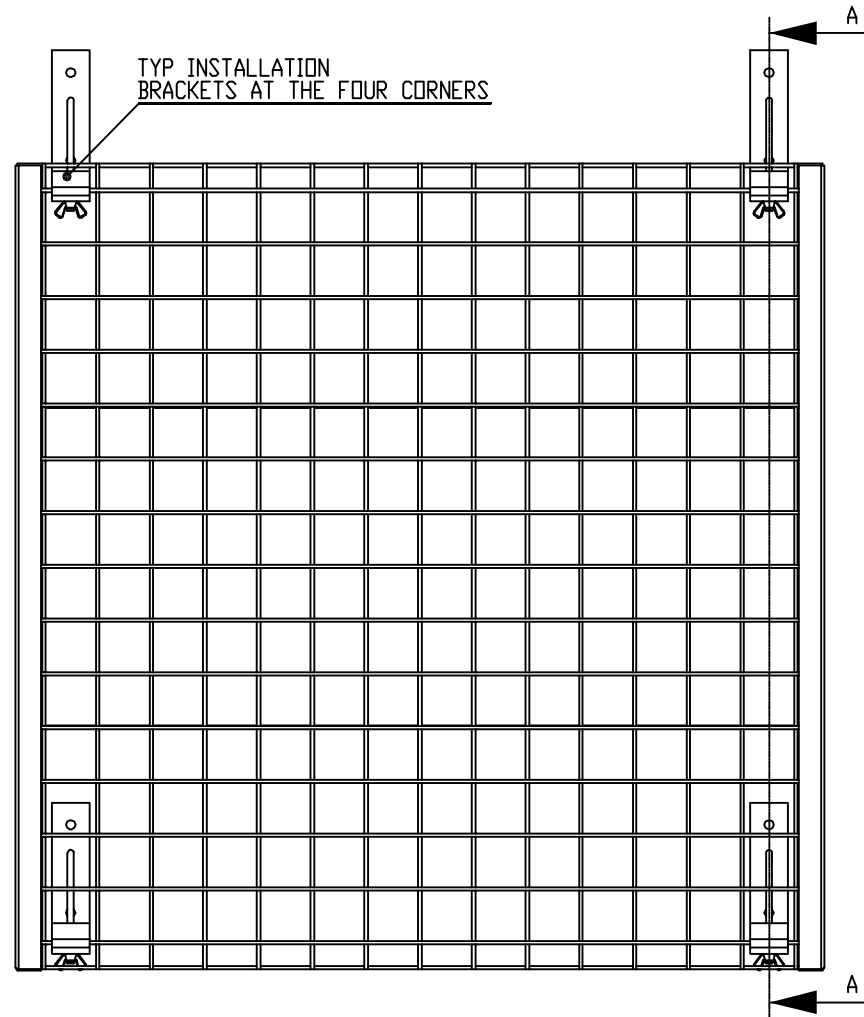
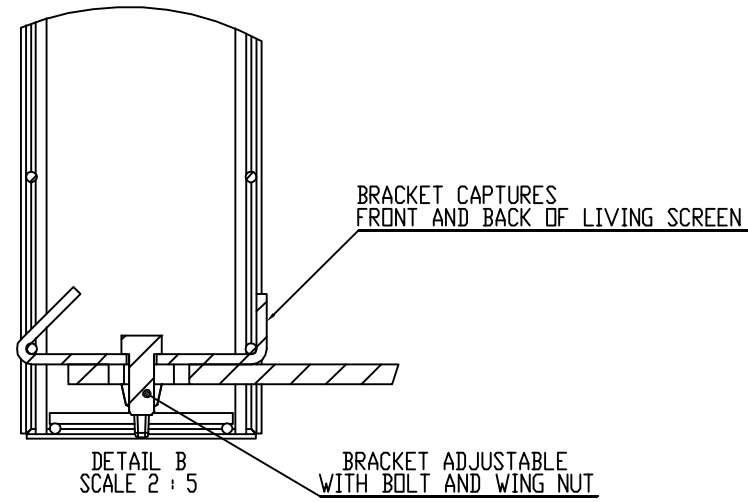
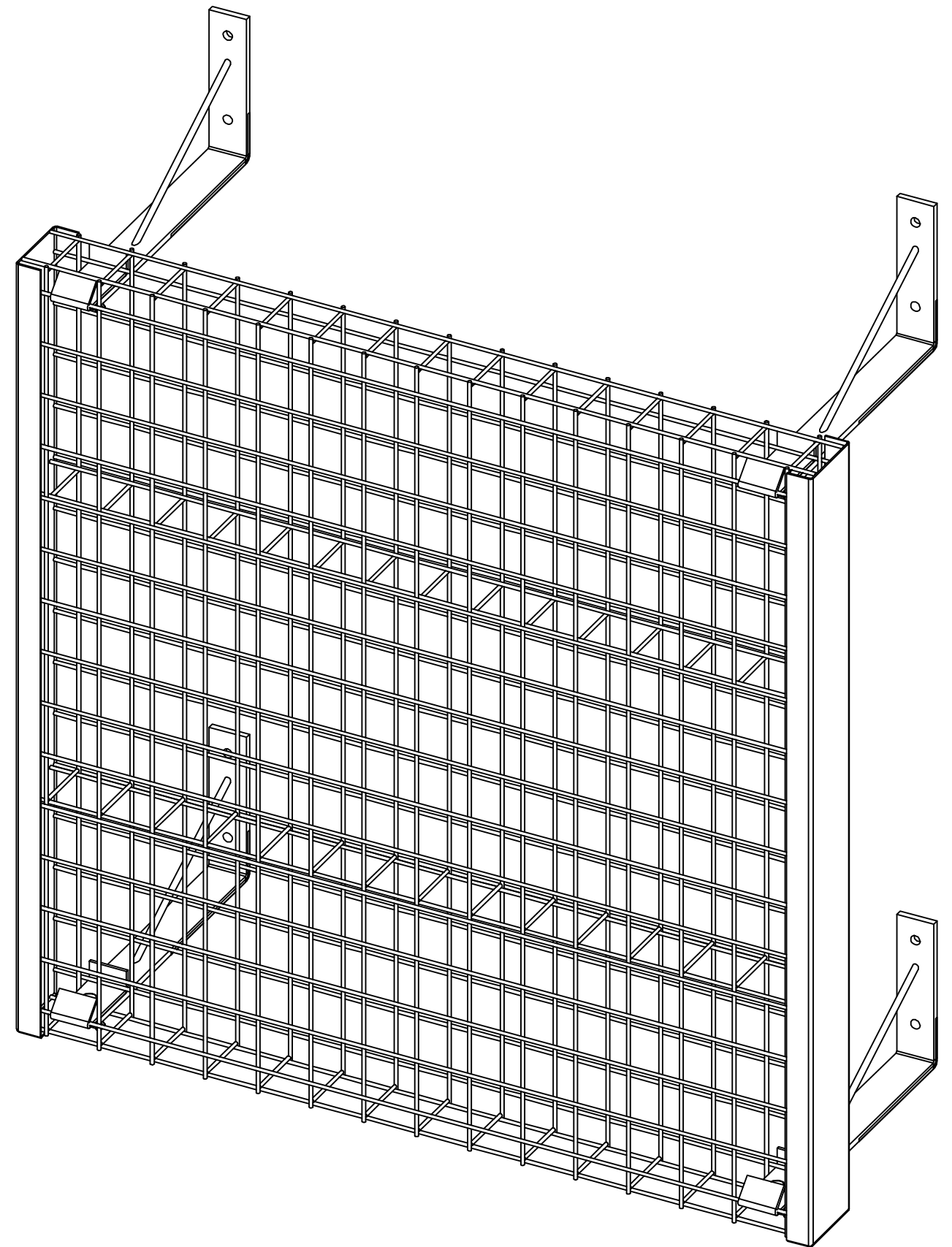


OGi - NatureScreen



SECTION A-A  
SCALE 1 : 8



PROPRIETARY AND CONFIDENTIAL  
OGi - AMS CLAIMS PROPRIETARY RIGHT IN THE INFORMATION DISCLOSED HEREIN. IT IS AGREED THAT ANY AND ALL SPECIFICATIONS, DATA AND DESIGN CONCEPTS SHOWN SHALL REMAIN CONFIDENTIAL WITH THE SPECIFIC UNDERSTANDING THAT NEITHER THIS DRAWING NOR ANY REPRODUCTION THEREOF WILL BE DISCLOSED TO OTHERS NOR USED FOR THE PURPOSE OF MANUFACTURE, NOR PROCUREMENT NOR THE ARTICLE NOR PART SHOWN HEREIN WITH-OUT PRIOR WRITTEN CONSENT OF OGi - AMS.

REVISIONS			
REV.	DESCRIPTION	DATE	APPROVED

UNLESS OTHERWISE SPECIFIED:  
DIMENSIONS ARE IN INCHES  
TOLERANCES:  
FRACTIONAL ± 1/32  
ANGULAR: MACH ± 1/2°  
TWO PLACE DECIMAL ± 0.015  
THREE PLACE DECIMAL ± 0.005

**OGi Architectural Metal Solutions**

www.ogifence.com 800.321.9800 5299 Southway St. SW Canton, OH

NatureScreen - Attachment Details

MATERIAL

DATE: 10/09/2009

DWG. NO.

NatureScreen

REV

FINISH

SCALE: NTS

DRAWN BY: JCR

CHECKED BY:

SHEET 1 OF 1

DO NOT SCALE DRAWING