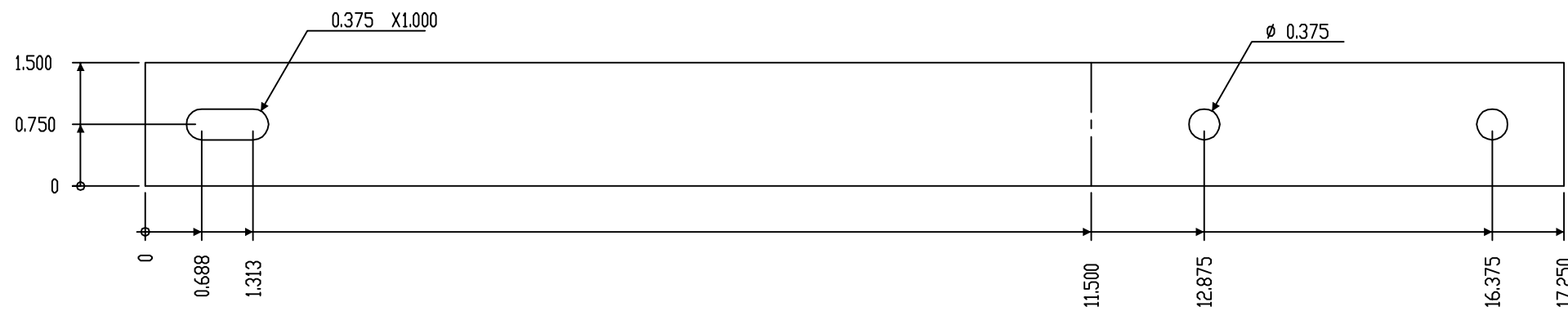
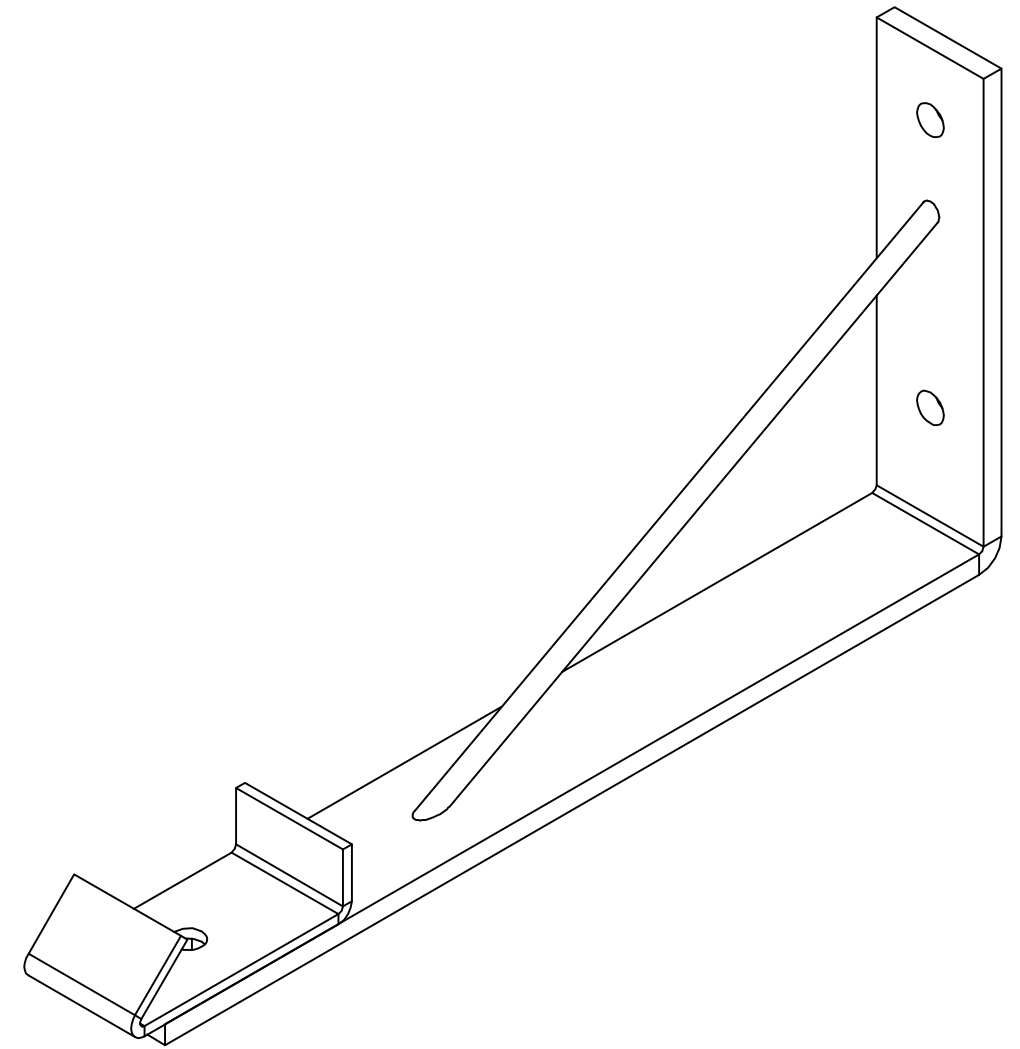
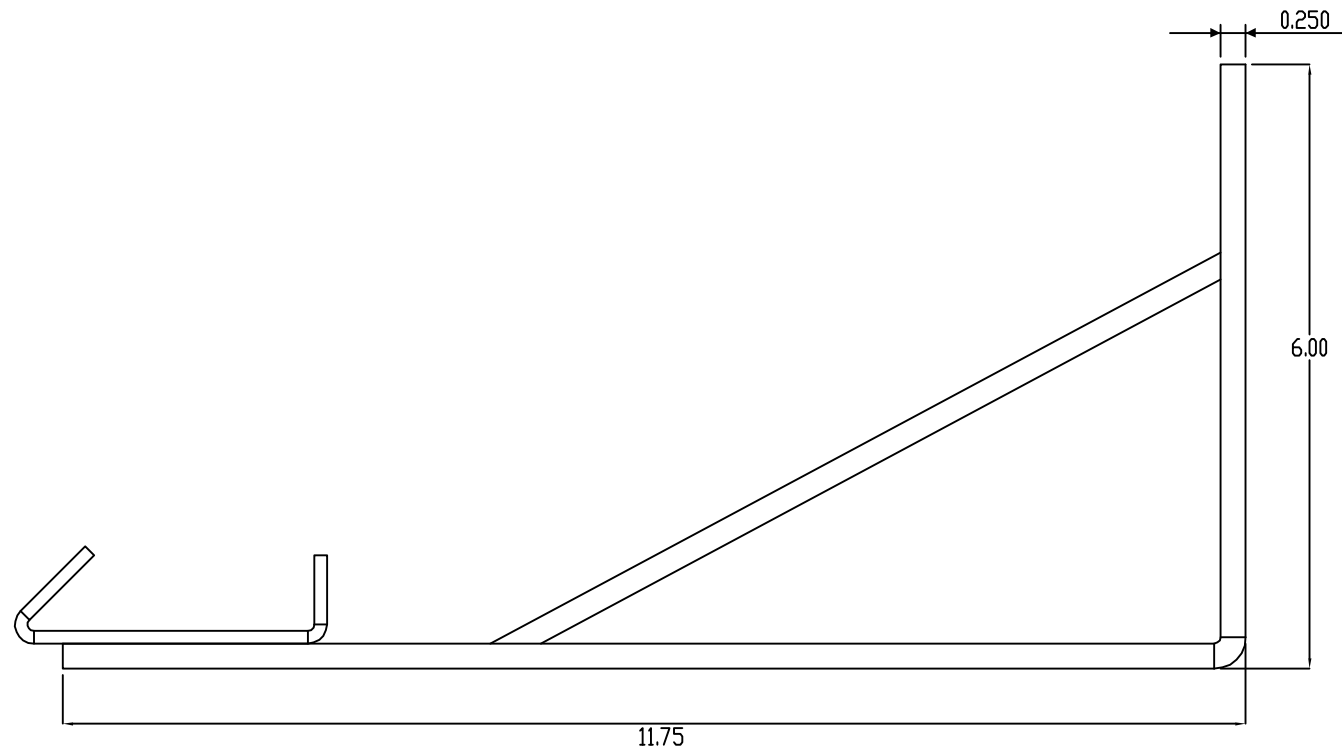


OGi - NatureScreen  
 12" STANDOFF REINFORCED BRACKET



PROPRIETARY AND CONFIDENTIAL  
 OGi - AMS CLAIMS PROPRIETARY RIGHT  
 IN THE INFORMATION DISCLOSED HEREIN. IT IS AGREED  
 THAT ANY AND ALL SPECIFICATIONS, DATA AND DESIGN  
 CONCEPTS SHOWN SHALL REMAIN CONFIDENTIAL WITH  
 THE SPECIFIC UNDERSTANDING THAT NEITHER THIS  
 DRAWING NOR ANY REPRODUCTION THEREOF WILL BE  
 DISCLOSED TO OTHERS NOR USED FOR THE PURPOSE OF  
 MANUFACTURE NOR PROCUREMENT NOR THE ARTICLE  
 NOR PART SHOWN HEREIN WITH-OUT PRIOR WRITTEN  
 CONSENT OF OGi - AMS.

REVISIONS			
REV.	DESCRIPTION	DATE	APPROVED

UNLESS OTHERWISE SPECIFIED: DIMENSIONS ARE IN INCHES TOLERANCES: FRACTIONAL ± 1/32 ANGULAR MACH ± 1/2° TWO PLACE DECIMAL ± 0.015 THREE PLACE DECIMAL ± 0.005			
MATERIAL		www.ogifence.com 800.321.9800 5299 Southway St. SW Canton, OH	
FINISH		NatureScreen - Connection Details	
DO NOT SCALE DRAWING		DATE: 10/09/2009	DWG. NO. Attachment Drawing
SCALE: NTS		DRAWN BY: JCR	CHECKED BY: REV
			SHEET 1 OF 1