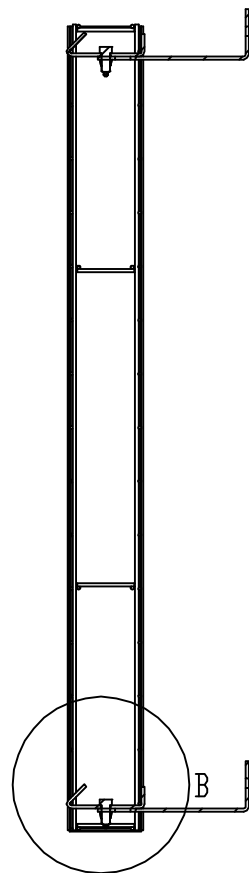
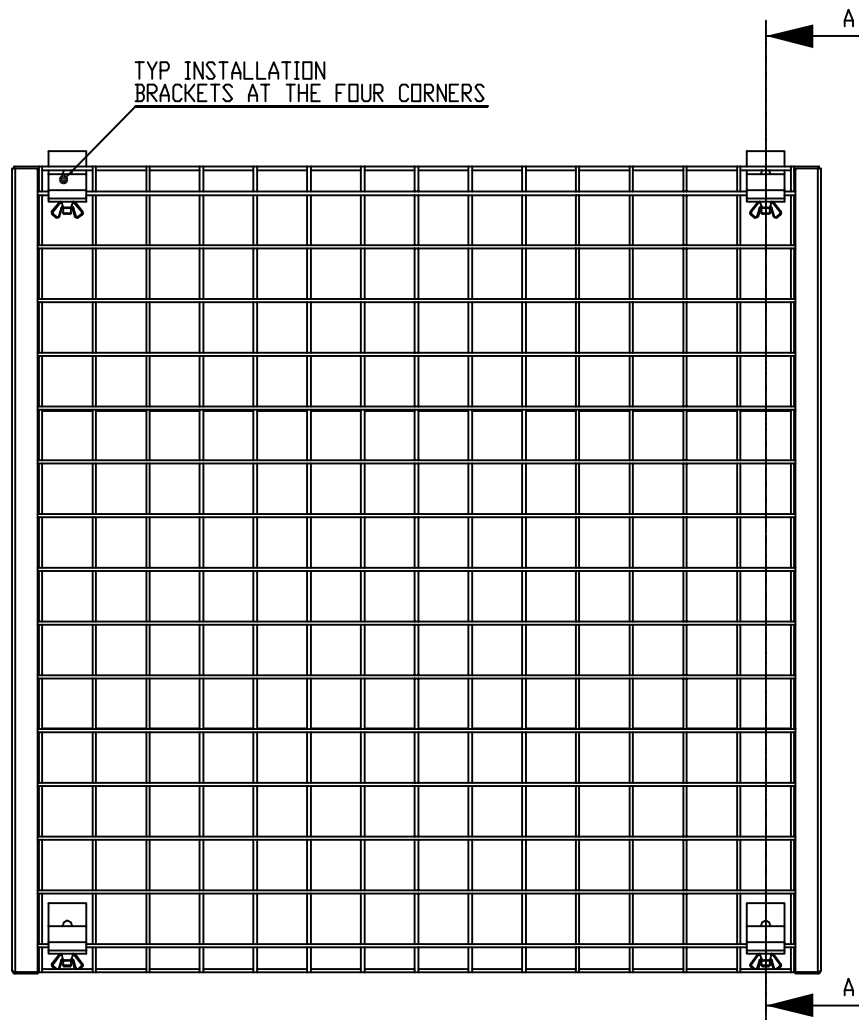
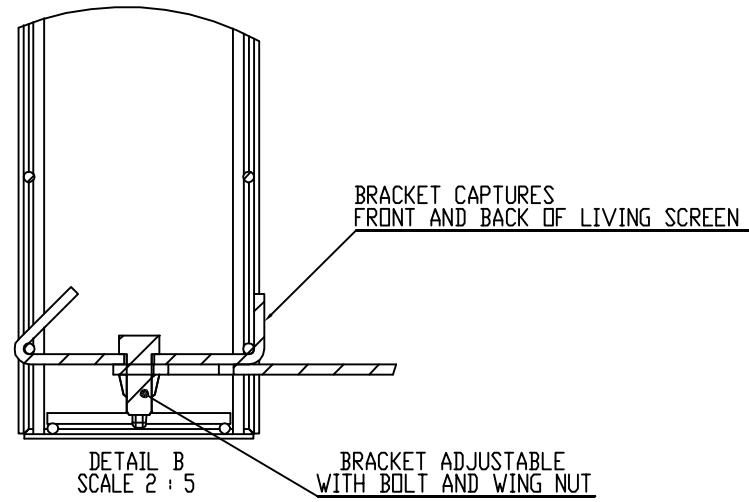
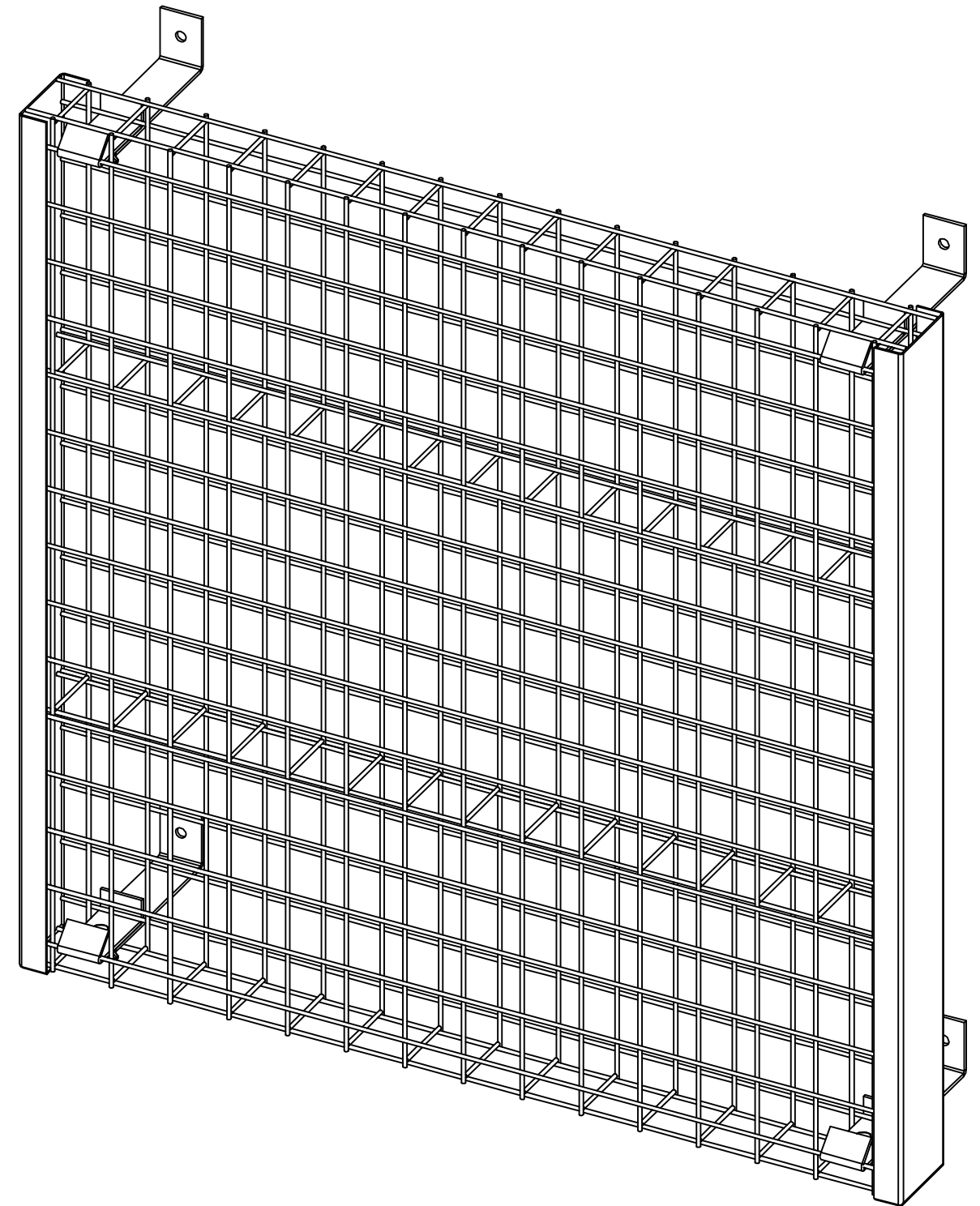


# OGi- NatureScreen



SECTION A-A  
SCALE 1 : 8



UNLESS OTHERWISE SPECIFIED:

DIMENSIONS ARE IN INCHES  
TOLERANCES:  
FRACTIONAL  $\pm 1/32$   
ANGULAR MACH  $\pm 1/2^\circ$   
TWO PLACE DECIMAL  $\pm 0.015$   
THREE PLACE DECIMAL  $\pm 0.005$

MATERIAL  
FINISH

**OGi Architectural Metal Solutions**

www.ogifence.com 800.321.9800 5299 Southway St. SW Canton, OH

NatureScreen - Attachment Details

DATE: 10/09/2009 DWG. NO. NatureScreen REV

SCALE: NTS DRAWN BY: JCR CHECKED BY: SHEET 1 OF 1

REVISIONS			
REV.	DESCRIPTION	DATE	APPROVED

DO NOT SCALE DRAWING

PROPRIETARY AND CONFIDENTIAL  
OGI - AMS CLAIMS PROPRIETARY RIGHT IN THE INFORMATION DISCLOSED HEREIN. IT IS AGREED THAT ANY AND ALL SPECIFICATIONS, DATA AND DESIGN CONCEPTS SHOWN SHALL REMAIN CONFIDENTIAL WITH THE SPECIFIC UNDERSTANDING THAT NEITHER THIS DRAWING NOR ANY REPRODUCTION THEREOF WILL BE DISCLOSED TO OTHERS NOR USED FOR THE PURPOSE OF MANUFACTURE, NOR PROCUREMENT NOR THE ARTICLE NOR PART SHOWN HEREIN WITH-OUT PRIOR WRITTEN CONSENT OF OGI - AMS.