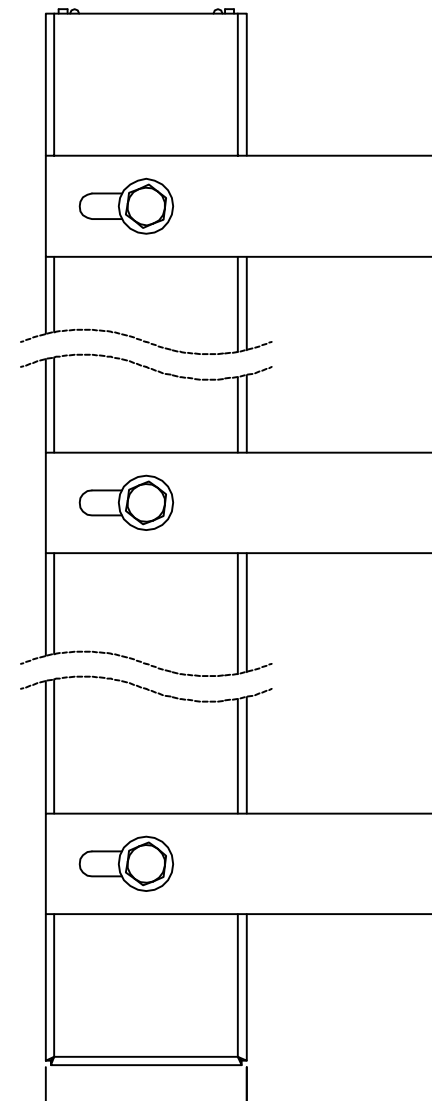
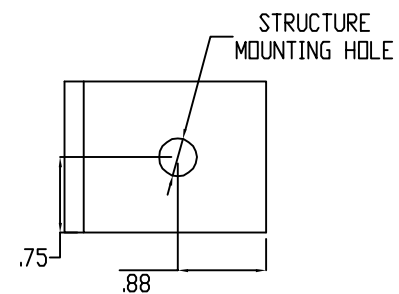
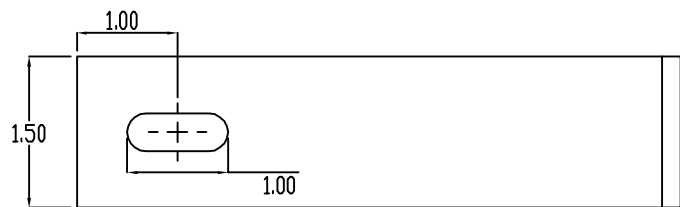
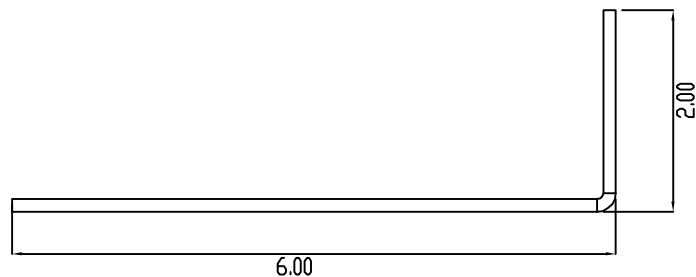
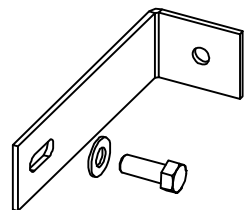
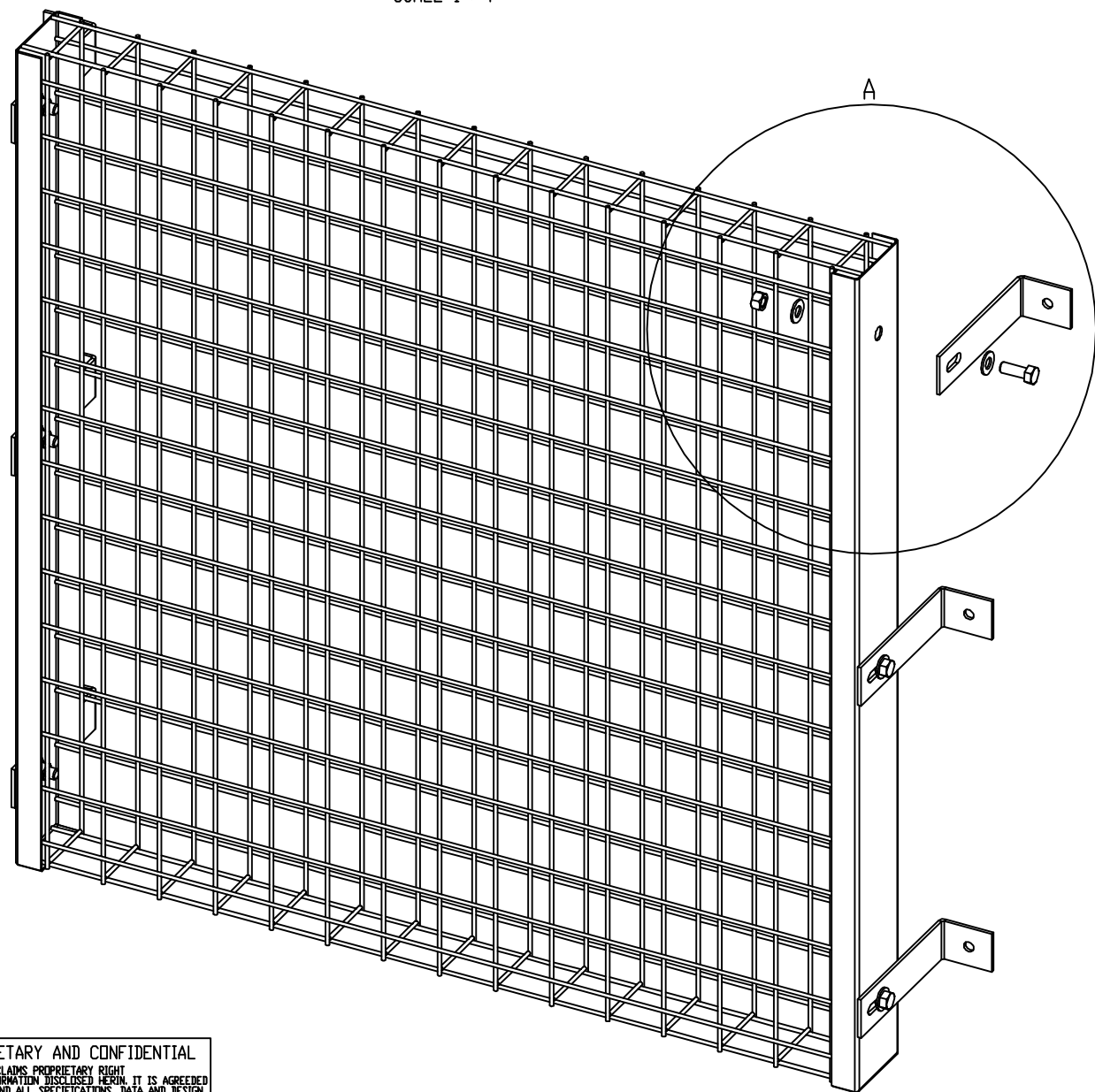


DETAIL A
SCALE 1 : 4



2.99
SCREEN DEPTH

ADJUSTABLE
3 - 4 INCHES



PROPRIETARY AND CONFIDENTIAL
OGI - AMS CLAIMS PROPRIETARY RIGHT IN THE INFORMATION DISCLOSED HEREIN. IT IS AGREED THAT ANY AND ALL SPECIFICATIONS, DATA AND DESIGN CONCEPTS SHOWN SHALL REMAIN CONFIDENTIAL WITH THE SPECIFIC UNDERSTANDING THAT NEITHER THIS DRAWING NOR ANY REPRODUCTION THEREOF WILL BE DISCLOSED TO OTHERS NOR USED FOR THE PURPOSE OF MANUFACTURE, NOR PROCUREMENT NOR THE ARTICLE NOR PART SHOWN HEREIN WITH-OUT PRIOR WRITTEN CONSENT OF OGI - AMS.

| REVISIONS | | | |
|-----------|-------------|------|----------|
| REV. | DESCRIPTION | DATE | APPROVED |
| | | | |

UNLESS OTHERWISE SPECIFIED:
DIMENSIONS ARE IN INCHES
TOLERANCES:
FRACTIONAL ± 1/32
ANGULAR: MACH ± 1/2°
TWO PLACE DECIMAL ± 0.015
THREE PLACE DECIMAL ± 0.005

OGi Architectural Metal Solutions

www.ogifence.com 800.321.9800 5299 Southway St. SW Canton, OH

NatureScreen - Attachment Details

MATERIAL

DATE:

10/09/2009

DWG. NO.

Attachment Drawing

REV

FINISH

DO NOT SCALE DRAWING

SCALE: NTS

DRAWN BY: JCR

CHECKED BY:

SHEET 1 OF 1