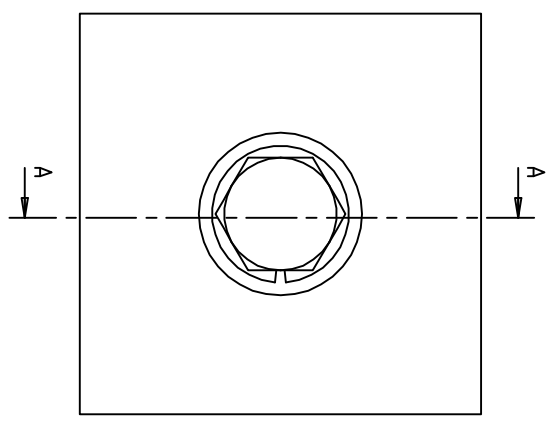
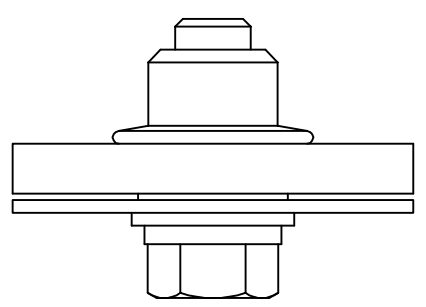


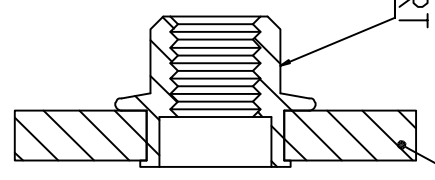
OGI INSERT NUT INFO DRAWING TYPICAL INSERT NUT CONNECTION

ASSEMBLED

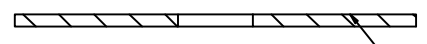


INSTALLED NUTSERT

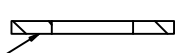
METAL POST OR OTHER



LIVING SCREEN FLASHING



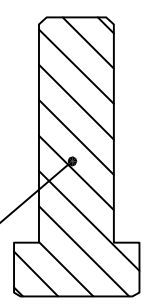
LOCK WASHER



FLAT WASHER



BOLT



SECTION A-A
SCALE 1 : 1

PROPRIETARY AND CONFIDENTIAL

OGI - AMS CLAIMS PROPRIETARY RIGHT IN THE INFORMATION DISCLOSED HEREIN. IT IS AGREED THAT ANY AND ALL SPECIFICATIONS, DATA AND DESIGN CONCEPTS SHOWN SHALL REMAIN CONFIDENTIAL WITH THE SPECIFIC UNDERSTANDING THAT NEITHER THIS DRAWING NOR ANY REPRODUCTION THEREOF WILL BE DISCLOSED TO OTHERS NOR USED FOR THE PURPOSE OF MANUFACTURE NOR PROCUREMENT NOR THE ARTICLES NOR PARTS SHOWN HEREIN WITHOUT PRIOR WRITTEN CONSENT OF OGI - AMS.

UNLESS OTHERWISE SPECIFIED:

DIMENSIONS ARE IN INCHES

TOLERANCES ± 1/32

ANGLES UNLESS NOTED OTHERWISE

TWO PLACE DECIMAL ± 0.005

THREE PLACE DECIMAL ± 0.005

FINISH DO NOT SCALE DRAWING



www.ogifence.com 800.321.9800 5299 Southway St. SW Canton, OH

NatureScreen - Insert Details

DATE: 10/09/2009 DWG. NO. Attachment Drawing REV

SCALE: NTS DRAWN BY: JCR CHECKED BY: SHEET 1 OF 1