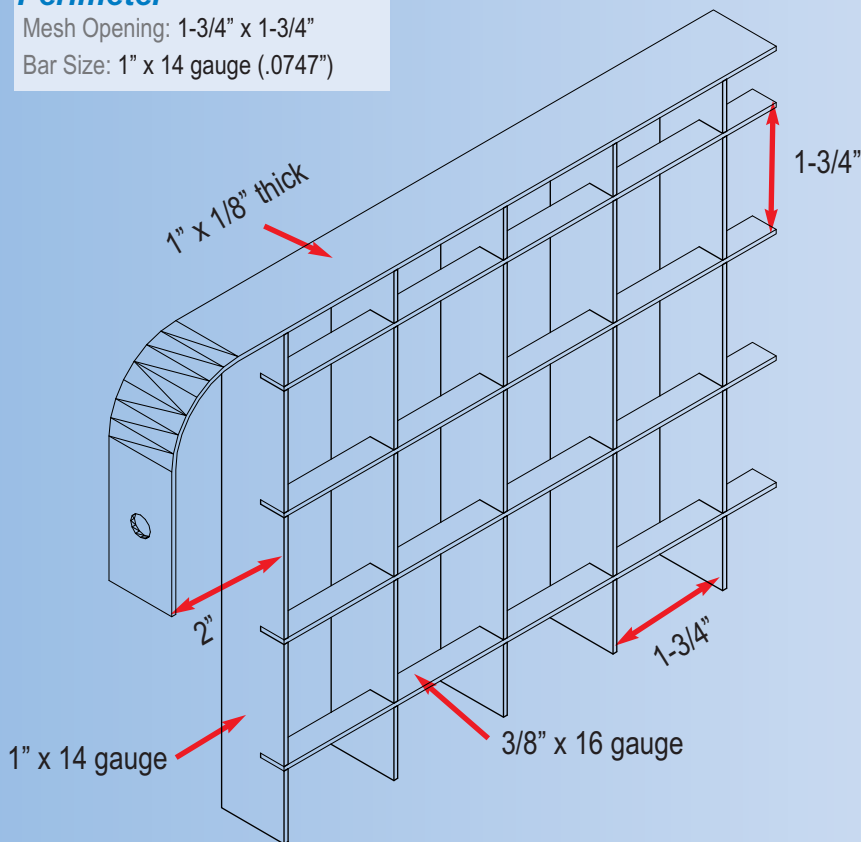




## PRESSLOCK Perimeter

### Perimeter

Mesh Opening: 1-3/4" x 1-3/4"  
Bar Size: 1" x 14 gauge (.0747")



We are proud to offer our **NEW** architectural **PressLock** steel fence, ideal for multiple uses where aesthetics and security need to co-exist.

- **Strong and Long-Lasting**
- **Nearly Maintenance FREE**
- **No Surface Cracking or Fading**
- **Galvanized and /or Powder Coated**

**Perimeter** is manufactured using an exclusive pressure lock process, giving complete penetration of the cross member, a technique that is both functional and decorative. It then receives a galvanized finish with a polyester powder coating giving it the best corrosion protection available. **Perimeter** is both strong and attractive.

### Specifications:

**PressLock** steel fencing. MBG **Perimeter** design: 1" x 14 gauge main bar, 3/8" x 16 gauge cross bar, 1-3/4" x 1-3/4" mesh. Galvanized to ASTM 123 and /or polyester powder coated 2.60 lbs./sq. ft.

We can custom manufacture and fabricate most mesh sizes or panel configurations required. Contact one of our sales representatives today at **1-800-321-9800** and we'll design a system exclusively for you!

### How to Specify...

"H" Panel Height	"A" Anchorage Depth	Post Size
36"	8"	2-1/2" x 5/16"
48"	8"	2-1/2" x 5/16"
60"	10"	2-1/2" x 5/16"
72"	12"	3" x 5/16"
96"	14"	3" x 5/16"

"P" Post Centers	"U" Unit Width	"W" Grille Width	"M" Mounting Projection
50-1/4"	50"	45-9/16"	2"
74-3/4"	74-7/16"	70"	2"

**NOTE:** These are standard panel sizes and grilles. OGI can custom manufacture and fabricate any size mesh or panel configuration required. Contact our sales team for assistance at 800-321-9800 or visit us online at [www.ogifence.com](http://www.ogifence.com) to locate your nearest representative.

