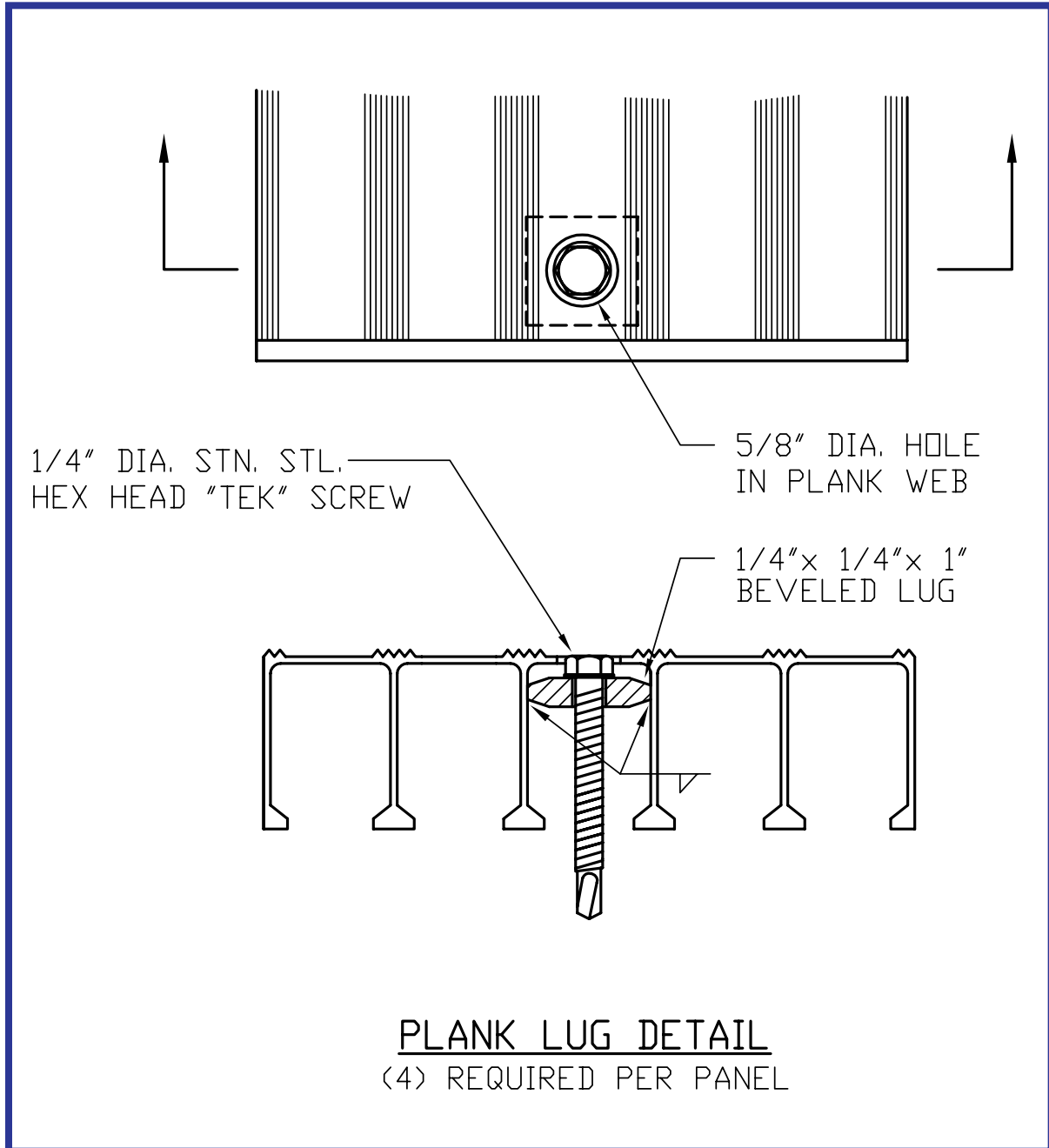


ADA PUNCHED FASTENER DETAIL

Aluminum **Plank**

This fastening device is used for punched patterns, primarily ADA.



OHIO GRATINGS, INC.

5299 Southway SW • Canton, OH 44706 • Toll Free: 800-321-9800 • Fax 330-477-7872 • www.ohiogratings.com