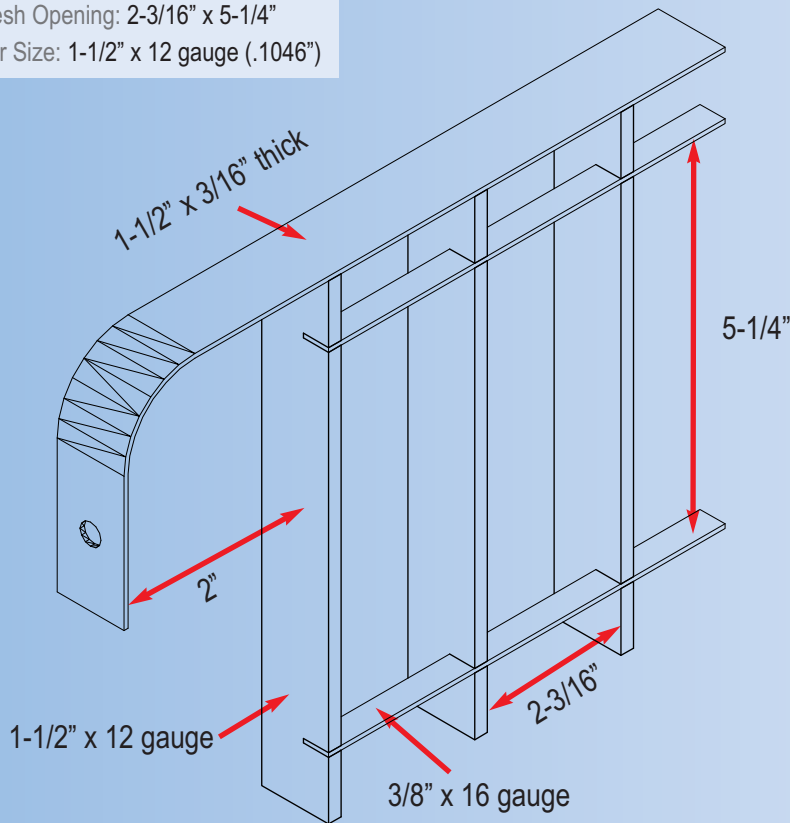




## PRESSLOCK SafeGuard

### SafeGuard

Mesh Opening: 2-3/16" x 5-1/4"  
Bar Size: 1-1/2" x 12 gauge (.1046")



We are proud to offer our **NEW** architectural **PressLock** steel fence, ideal for multiple uses where aesthetics and security need to co-exist.

- *Strong and Long-Lasting*
- *Nearly Maintenance FREE*
- *No Surface Cracking or Fading*
- *Galvanized and /or Powder Coated*

**SafeGuard** is manufactured using an exclusive pressure lock process, giving complete penetration of the cross member, a technique that is both functional and decorative. It then receives a galvanized finish with a polyester powder coating giving it the best corrosion protection available. **SafeGuard** is both strong and attractive.

### Specifications:

**PressLock** steel fencing. MBG **SafeGuard** design: 1-3/16" x 14 gauge main bar, 3/8" x 16 gauge cross bar, 2-3/16" x 5-1/4" mesh. Galvanized to ASTM 123 and /or polyester powder coated 3.49 lbs./sq.ft.

We can custom manufacture and fabricate most mesh sizes or panel configurations required. Contact one of our sales representatives today at **1-800-321-9800** and we'll design a system exclusively for you!

### How to Specify...

"H" Panel Height	"A" Anchorage Depth	Post Size
36"	8"	2-1/2" x 5/16"
48"	8"	2-1/2" x 5/16"
60"	10"	2-1/2" x 5/16"
72"	12"	3" x 5/16"
96"	14"	3" x 5/16"

"P" Post Centers	"U" Unit Width	"W" Grille Width	"M" Mounting Projection
51-1/16"	50-5/8"	46-1/8"	2"
75-1/8"	74-11/16"	70-3/16"	2"

**NOTE:** These are standard panel sizes and grilles. OGI can custom manufacture and fabricate any size mesh or panel configuration required. Contact our sales team for assistance at 800-321-9800 or visit us online at [www.ogifence.com](http://www.ogifence.com) to locate your nearest representative.

