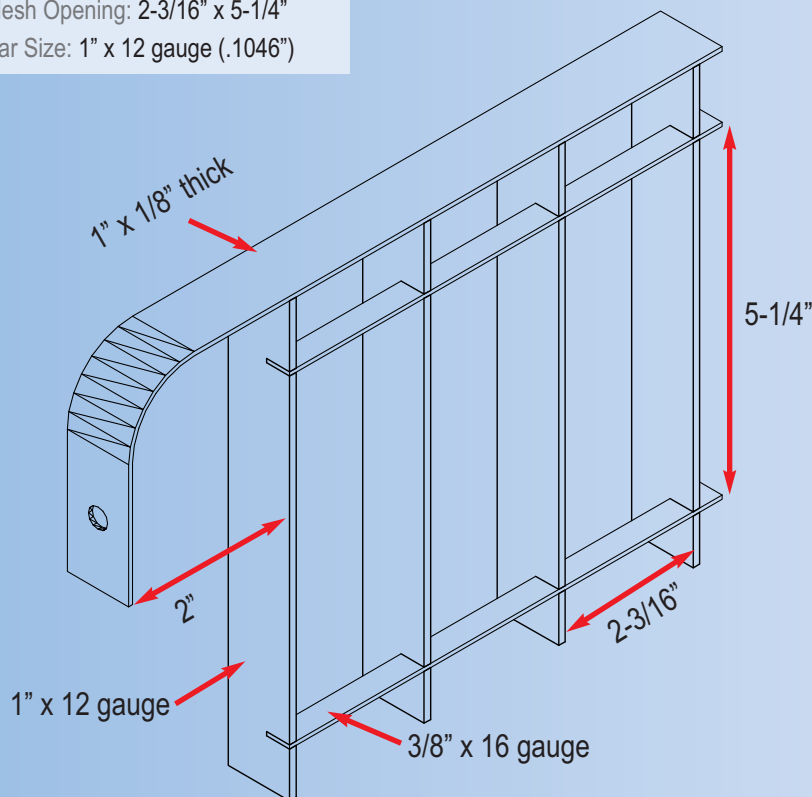




PRESSLOCK Urban

Urban

Mesh Opening: 2-3/16" x 5-1/4"
Bar Size: 1" x 12 gauge (.1046")



We are proud to offer our **NEW** architectural **PressLock** steel fence, ideal for multiple uses where aesthetics and security need to co-exist.

- **Strong and Long-Lasting**
- **Nearly Maintenance FREE**
- **No Surface Cracking or Fading**
- **Galvanized and /or Powder Coated**

Urban is manufactured using an exclusive pressure lock process, giving complete penetration of the cross member, a technique that is both functional and decorative. It then receives a galvanized finish with a polyester powder coating giving it the best corrosion protection available. **Urban** is both strong and attractive.

Specifications:

PressLock steel fencing. MBG **Urban** design: 1" x 12 gauge main bar, 3/8" x 16 gauge cross bar, 2-3/16" x 5-1/4" mesh. Galvanized to ASTM 123 and /or polyester powder coated 2.40 lbs./sq. ft.

We can custom manufacture and fabricate most mesh sizes or panel configurations required. Contact one of our sales representatives today at **1-800-321-9800** and we'll design a system exclusively for you!

How to Specify...

"H" Panel Height	"A" Anchorage Depth	Post Size
36"	8"	2-1/2" x 5/16"
48"	8"	2-1/2" x 5/16"
60"	10"	2-1/2" x 5/16"
72"	12"	3" x 5/16"
96"	14"	3" x 5/16"

"P" Post Centers	"U" Unit Width	"W" Grille Width	"M" Mounting Projection
48-7/16"	48-1/4"	43-7/8"	2"
77"	76-11/16"	72-5/16"	2"

NOTE: These are standard panel sizes and grilles. OGI can custom manufacture and fabricate any size mesh or panel configuration required. Contact our sales team for assistance at 800-321-9800 or visit us online at www.ogifence.com to locate your nearest representative.

