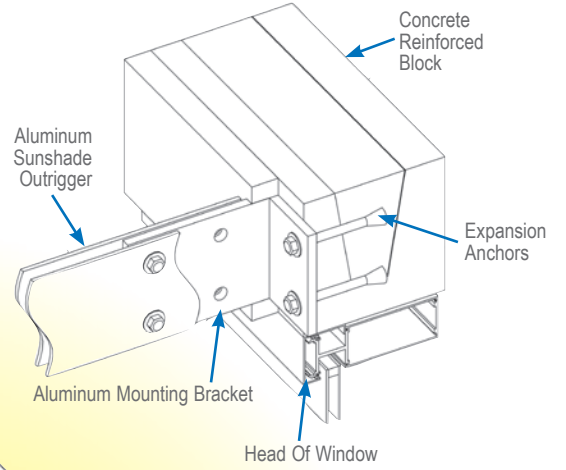
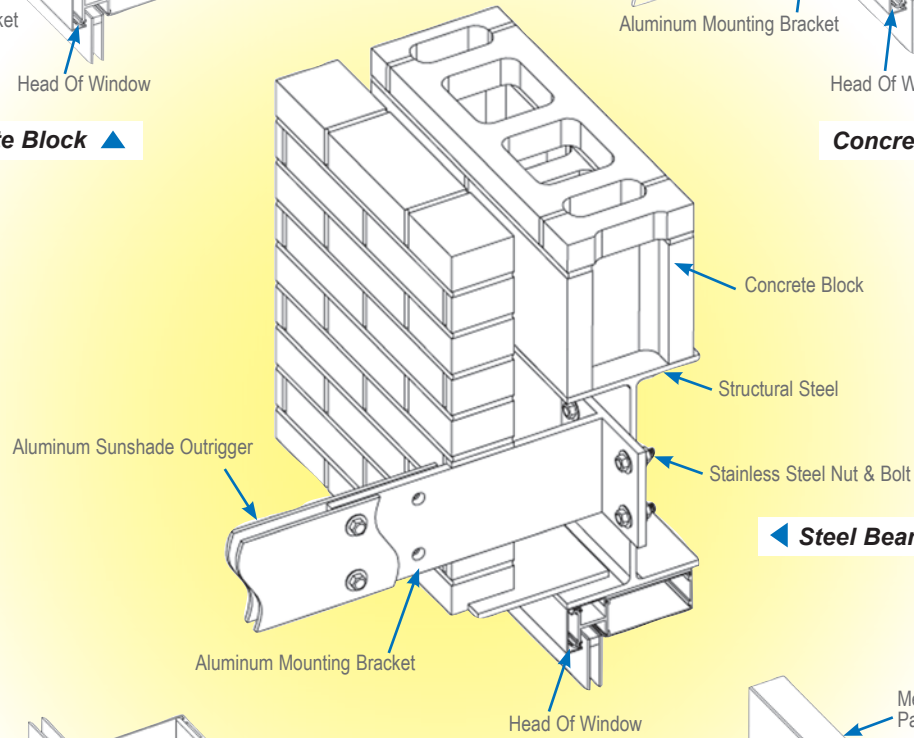


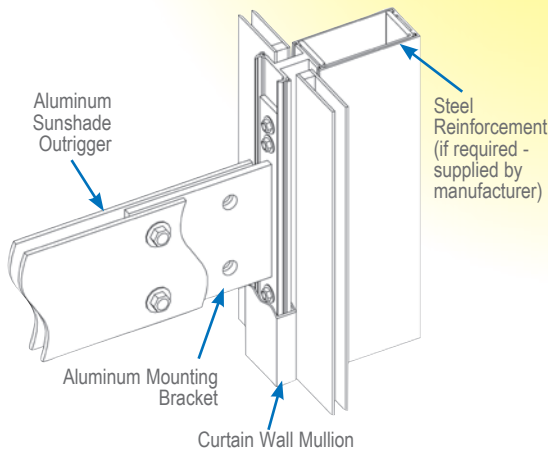
Concrete Block ▲



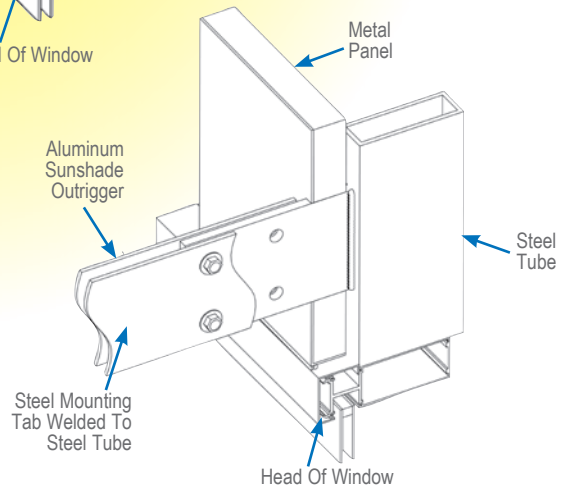
Concrete Lintel ▲



Steel Beam ▲



Mechanical - Curtain Wall ▲



Welded - Curtain Wall ▲